



**WEVER & DUCRÉ**  
LIGHTING

# DEEP

## IP44 1.0 PAR16

112620B0

Project
Type
Notes
Quantity
Date

### GENERAL

Ceiling  
Recessed  
Jet Black  
IP44  
Interior  
355<sup>a</sup>, 385<sup>b</sup>, 390<sup>c</sup> lm  
9005<sup>d</sup>

### LED

Lamp PAR16  
PAR16  
Socket GU10  
max. 12 W  
L70 / 50000 h

### OPTICAL

Wide Flood  
Beam angle 48°

### PHYSICAL

Diameter 95 mm  
Height 102 mm  
0.3 kg  
Standard Springs

### ELECTRICAL

100 - 240 V  
Total connected power 8.8<sup>c</sup>, 8.9<sup>b</sup>, 10<sup>a</sup> W  
PC2  
Safety distance 0.3 m

### CUTOUT

Diameter 86-89 mm  
Min. ceiling thickness 4 mm  
Max. ceiling thickness 25 mm  
Recessed depth 105 mm

<sup>a</sup> LED 1800-2850K CRI 90 silver

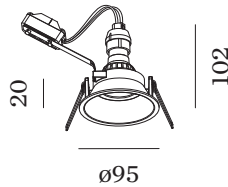
<sup>b</sup> LED 3000K CRI 80 white

<sup>c</sup> LED 2700K CRI 80 white

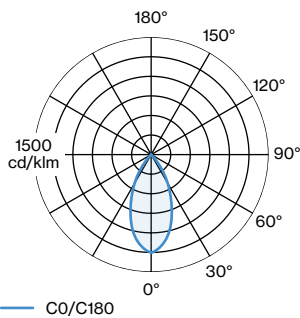
<sup>d</sup> RAL Palette colors may deviate slightly due to production conditions.



IP44  $\pm 0,3 \rightarrow$



### LIGHT DISTRIBUTION





WEVER & DUCRÉ  
LIGHTING

# DEEP

## IP44 1.0 PAR16

112620B0

### CONE DIAGRAM

wide flood 48°

h (m)	EO° (lx)	ø (m)
1	525	0.89
2	131	1.78
3	58	2.66
4	32	3.55
5	21	4.44

### LED LAMPS

#### PAR16 LED Lamp

TYPE	COLOUR	Ø·H (MM)	ORDERCODE
2700K   >90 CRI   GU10	Jet Black	ø50·58	9 0 1 2 2 8 B 3
3000K   >90 CRI   GU10	Jet Black	ø50·58	9 0 1 2 2 8 B 5
2700K   >80 CRI   GU10	Signal White	ø50·58	9 0 1 2 2 8 W 2
2700K   >90 CRI   GU10	Signal White	ø50·58	9 0 1 2 2 8 W 3
3000K   >80 CRI   GU10	Signal White	ø50·58	9 0 1 2 2 8 W 4

#### PAR16 LED Lamp | Ambient

TYPE	Ø·H (MM)	ORDERCODE
1800-2850K   >90 CRI   GU10	ø50·58	9 0 1 2 2 9 S 9